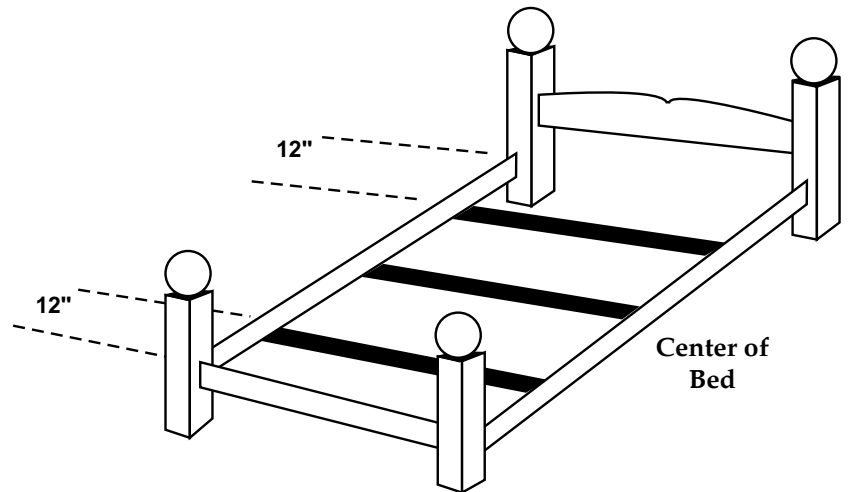


TELESCOPING METAL BED SLATS *"One Size Fits All"*

STEP 1

Adjust (3) Slats to fit inside of Bed Frame



STEP 2

Using diagram above, space slats out to the proper distance between headboard and footboard.

If holes are provided on the slat barrier, insert fasteners or screws. If holes are not provided screw through the slat barrier using a screwdriver.

Do not attempt to move bed after set-up is complete, as this will cause damage to your bed and slat assembly. To move bed, remove bedding and detach slat system and bedrails.

Not intended for waterbeds

*Assistance: B&H Panel Co.
230 W. Academy St.
P.O. Box 3146
Asheboro, NC 27204
Phone: (336) 629-2828
Fax: (336) 629-2222
E-mail: bedrails@triad.rr.com
www.bhpanel.com*